

INNOVA T

Tank Bottom Double Seat Valve



APPLICATION

The INNOVA T mixproof valve is a double seat pneumatic shut-off valve designed specifically for use in tanks and vats used for hygienic applications. A leak detection chamber under atmospheric pressure formed between both seats ensures that two different products are safely separated, one of which is usually CIP (cleaning agent). The INNOVA T valve has two seats that form a leak detection chamber at atmosphere pressure for every type of operating condition. This means that any leaked product will enter the leak detection chamber before being discharged through the leak outlet. The leak detection chamber is closed when the valve is open, enabling the product to transfer from the tank to the pipes. This chamber is closed to the process when the valve is open, enabling the product to transfer from the tank to the pipes. Additionally, the valve can be cleaned to any level depending on the process.

DESIGN AND FEATURES

- No leakage during the opening/closing of the valve.
- Single-acting pneumatic actuator.
- Easy disassembly of internal parts by loosening a clamp fastener.
- Open lantern allows visual inspection of shaft sealing.

TECHNICAL SPECIFICATIONS

Materials

Parts in contact with the product	1.4404 (AISI 316L)
Other stainless steel parts	1.4301 (AISI 304)
Gasket in contact with the product	EPDM

Surface finish

Internal	Polished $Ra \leq 0,8 \mu m$
External	Matt

Available sizes

DIN EN 10357 series A (previously DIN 11850 series 2)	DN 40 - DN 100
ASTM A269/270 (corresponds to OD pipe)	OD 1½" - OD 4"

Connections

Weld

Operating limit

Maximum working temperature	121°C	250°F
Temperature SIP	140°C (max. 30 min)	284°F
Maximum working pressure	1000 kPa (10 bar)	145 PSI
Minimum working pressure	Vacuum	Vacuum
Compressed air pressure	6 - 8 bar	87 - 116 PSI

OPTIONS

Gaskets: FPM, HNBR.

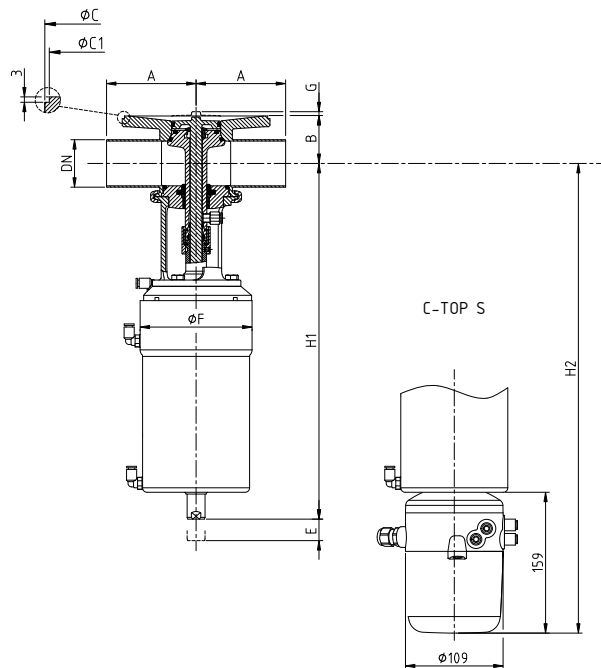
Other connection types.

Control unit.

External position sensors.

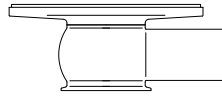
Internal surface finish: Ra < 0,5 µm.

Bodies with heating jacket.

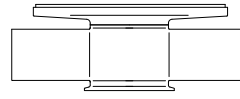
DIMENSIONS

	DN	Pipe	A	B	C	C1	E	ØF	G	H1	H2	kg
DIN	40	41,0 x 1,50	85	47	155	150	24	125	6	391	520	15
	50	53,0 x 1,50	100	53	165	160	24	125	6	397	526	16
	65	70,0 x 2,00	110	64	195	190	30	161	10	479	608	26
	80	85,0 x 2,00	125	72	215	210	30	161	10	487	616	28
	100	104 x 2,00	178	83,5	255	250	45	193	10	532	661	41
OD	1½"	38,1 x 1,65	85	45	155	150	24	125	6	393	522	15
	2"	50,8 x 1,65	100	52	165	160	24	125	6	399	528	16
	2½"	63,5 x 1,65	110	61	195	190	30	161	10	482	611	26
	3"	76,2 x 1,65	125	68	215	210	30	161	10	491	620	28
	4"	101,6 x 2,11	178	82	255	250	45	193	10	533	662	41

HOUSING COMBINATIONS



L



T

10.252.32.0025